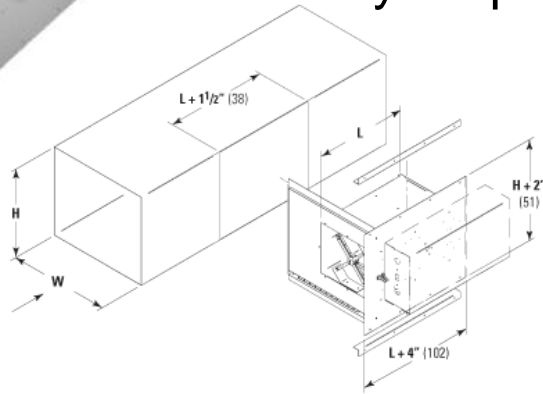
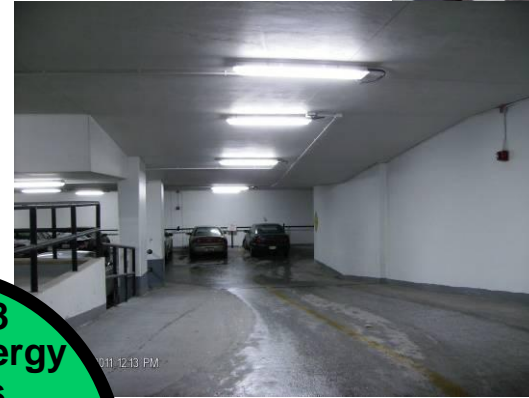




Constant Volume
to VAV
20-year payback



Lighting Upgrades
15-year payback

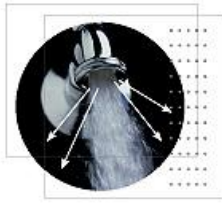
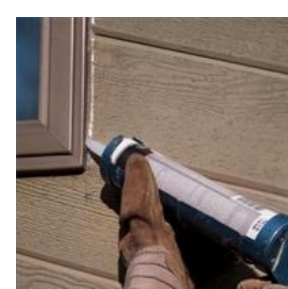


\$620,218
Annual Energy Savings

16-year payback

Baseline Reduction of 42%

Building Envelope
11-year payback



Variable Flow Technology
Works with existing infrastructure
with no compromise to performance

Controls Retro-commissioning
7-year payback



Sustainability
Projects



Plumbing
Improvements
7-year payback



Honeywell