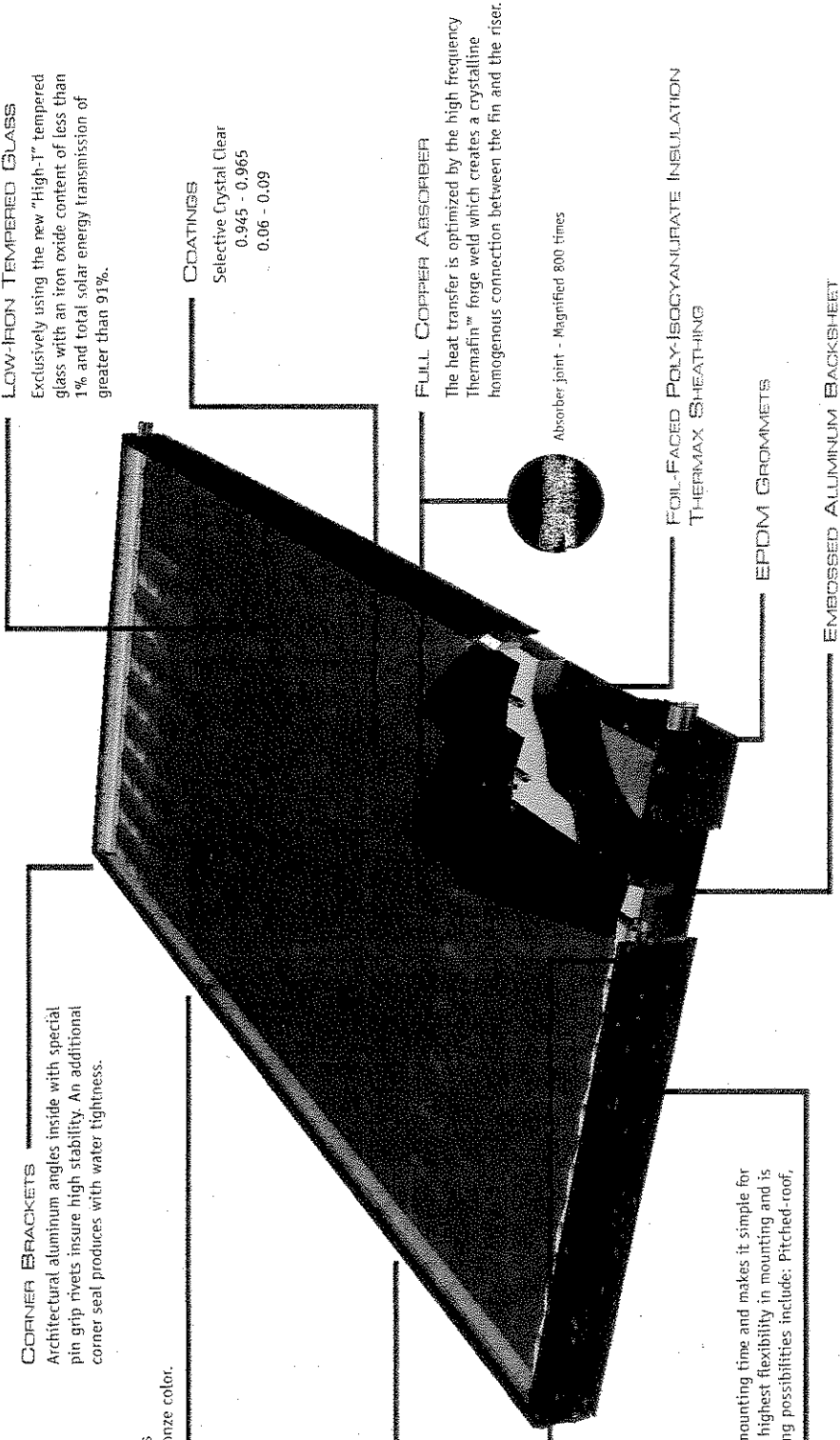


The SS Collector - Series

Miami Test Lab Certified to 181 mph wind load



LOW-IRON TEMPERED GLASS
Exclusively using the new "High-T" tempered glass with an iron oxide content of less than 1% and total solar energy transmission of greater than 91%.

COATINGS
Selective Crystal Clear
0.945 - 0.965
0.06 - 0.09

FULL COPPER ABSORBER
The heat transfer is optimized by the high frequency Thermoform™ forge weld which creates a crystalline homogeneous connection between the fin and the riser.

Absorber joint - Magnified 800 times

FOIL-FACED POLYISOCYANURATE INSULATION
THERMAX SHEATHING

EPDM GROMMETS

EMBOSSED ALUMINUM BACKSHEET

CORNER BRACKETS
Architectural aluminum angles inside with special pin grip rivets insure high stability. An additional corner seal produces with water tightness.

ALUMINUM FRAME AND LIGHTWEIGHT CONSTRUCTION
...this facilitates long life and strength. The frame is electrostatically painted in an attractive medium bronze color.

ALUMINUM EXTRUDED BATTEN
No silicon is used! Ribbed aluminum extrusions and a smooth compressed EPDM gasket provide water tightness. This allows easy access to the collector for repair or maintenance at any time or location.

GLASS GASKET
...a UV durable EPDM channel with molded corners assures long life and avoids all water penetration.

"QUICK LOCK" MOUNTING FRAME
The variable Quick Lock mounting hardware reduces mounting time and makes it simple for anyone to install. The Quick Lock System allows the highest flexibility in mounting and is tested to wind load conditions of 181 mph. Mounting possibilities include: Pitched-roof, Flatroof, Ground, Balcony, and Facade mounting.

MANUFACTURED BY
solarskies™
engaging the sun

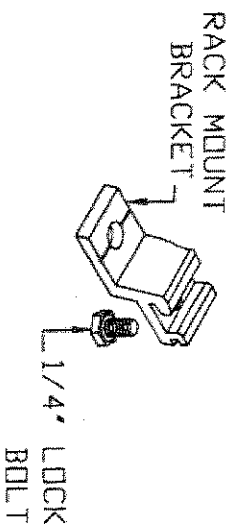


Solar Skies, Mfg. LLC
Starbuck, MN 56381
1-877-SOLAR-57
www.solarskies.com

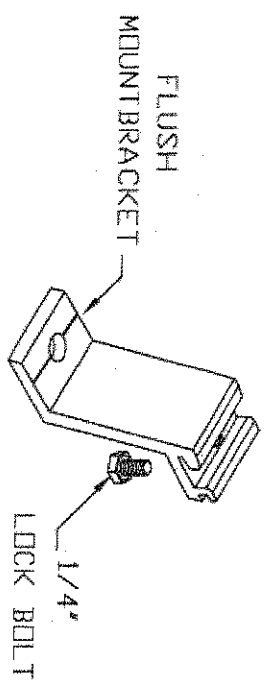
S P E C I F I C A T I O N S						
Collector	SS-21	SS-24	SS-26	SS-28	SS-32	SS-40
Gross Area (ft ²)	20.87	23.81	25.35	27.97	31.91	39.79
Dimensions (in)	85.25 x 35.25	97.25 x 35.25	77.25 x 47.25	85.25 x 47.25	97.25 x 47.25	121.25 x 47.25
Transparent Area (ft ²)	19.22	21.99	23.65	26.16	29.93	37.47
Weight (lb)	74	84	90	99	113	153
Tested: TÜV (DIN 4757), RAPPERSWILL, ONORM M7714, FSEC, SRCC, Metropolitan Dade County, Miami Test Lab						

SS Series Mounting Hardware

MT-RM Rack Mount (4 PER KIT)

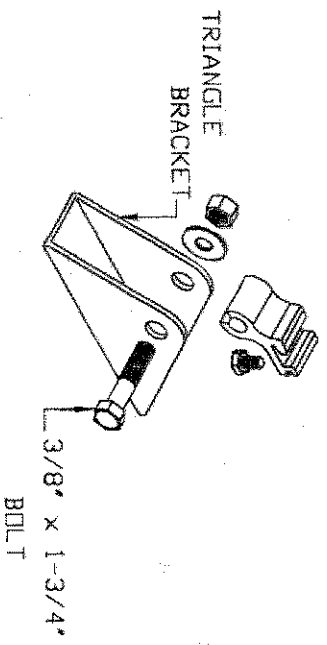


MT-FM Flush Mount (4 PER KIT)

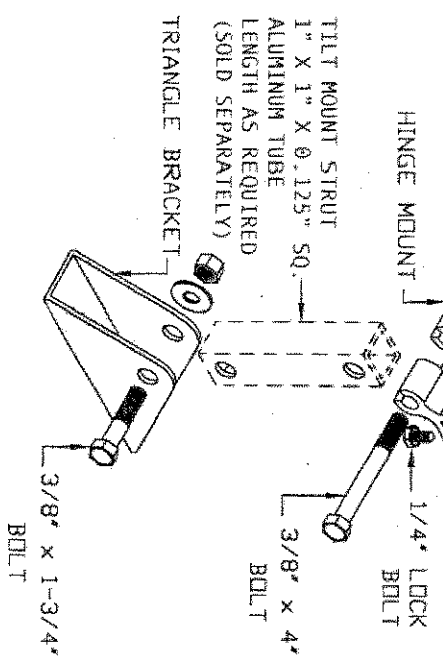
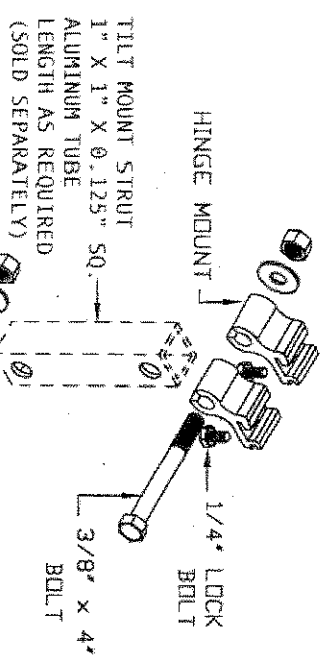


MT-TM Tilt Mount (*strut not included)

(2 FRONT, 2 REAR PER KIT) *



FRONT



REAR